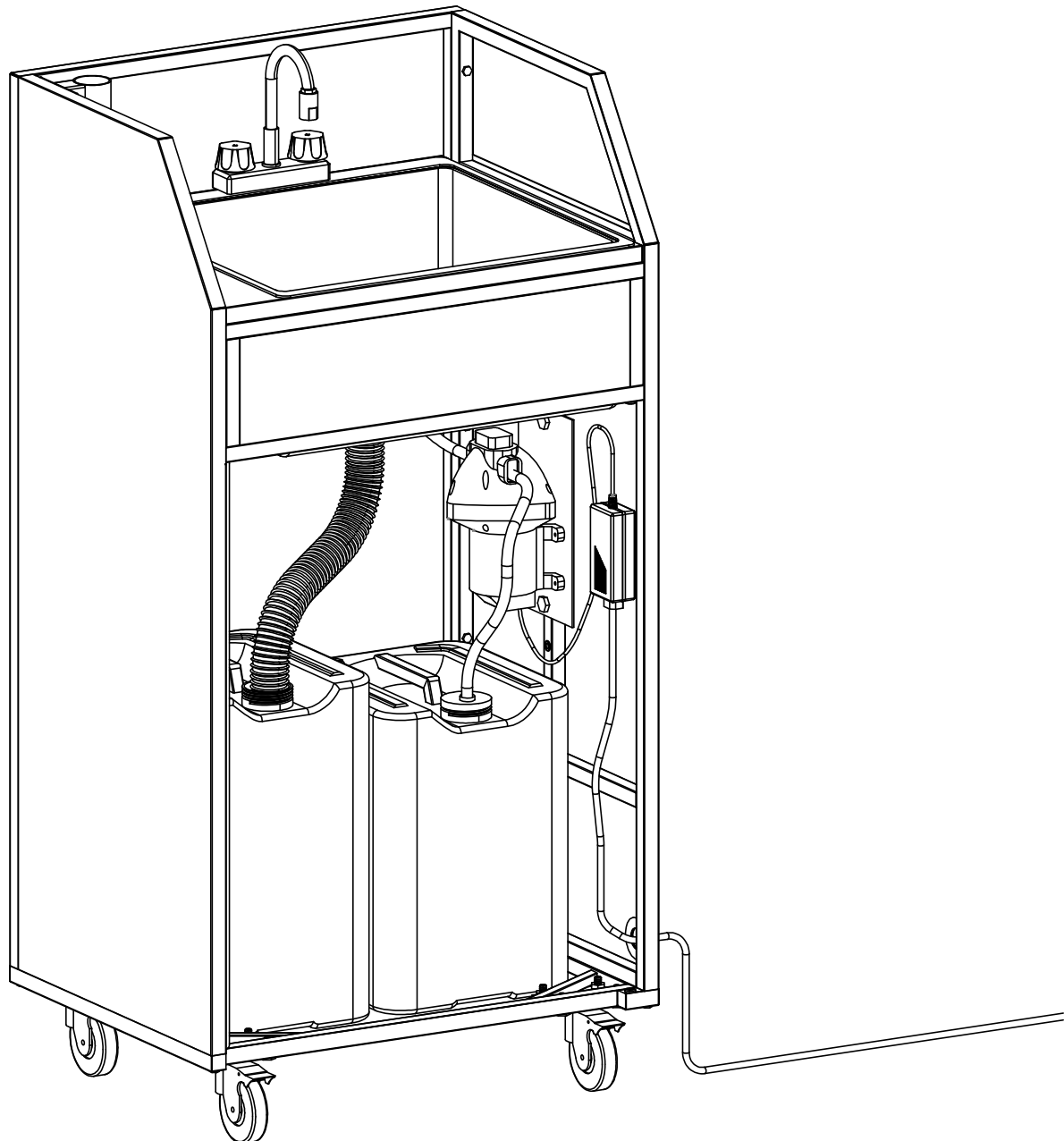


THE
VALET
SPOT

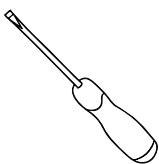
STANDARD PODIUM
PORTABLE HAND WASH SYSTEM



- **Read all the instructions before installing.**
- **Remove all packing materials before you start.**
- **This installation requires basic mechanical skills.**
- **Proper installation is the responsibility of the installer.**
- **Product failure due to improper installation is not covered under the warranty.**
- **Keep this instruction manual.**

THE
VALET
SPOT

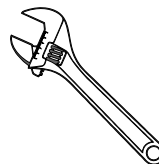
Required tools



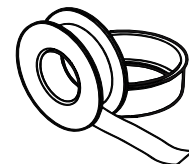
Slotted Screwdriver



Pipe Pliers

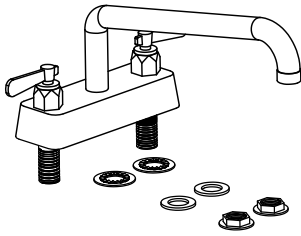


Crescent Wrench

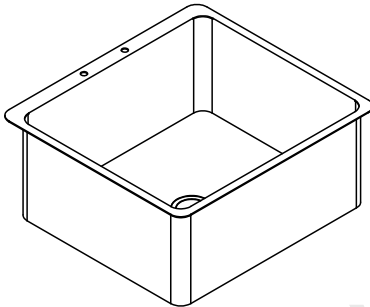


Teflon Tape

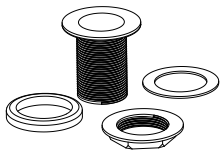
Faucet
QTY: 1



Sink
QTY: 1



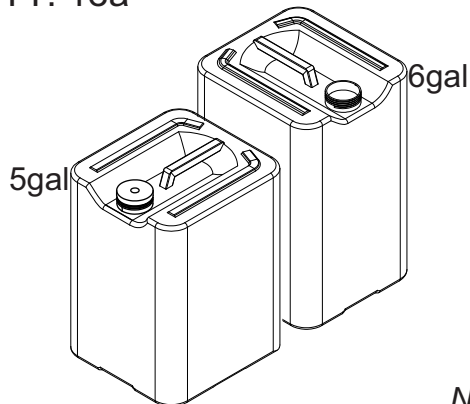
Strainer and Flexible Drain
QTY: 1ea



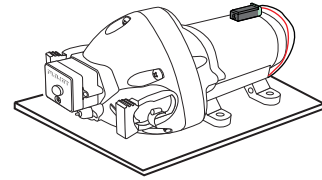
Faucet fitting cap
QTY: 1



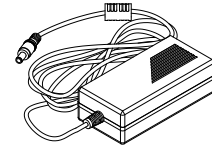
Water Tanks
QTY: 1ea



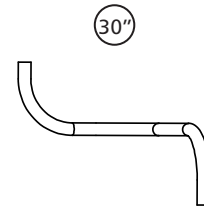
Pump
QTY: 1



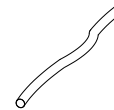
Power adapter
QTY: 1



Braided Hose
QTY: 1



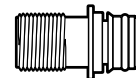
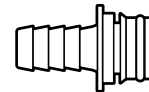
Plastic hose and clamp
QTY: 1 ea



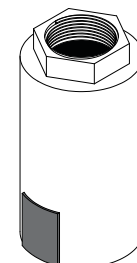
Adapters
QTY: 2

1 x (A)

1 x (B)

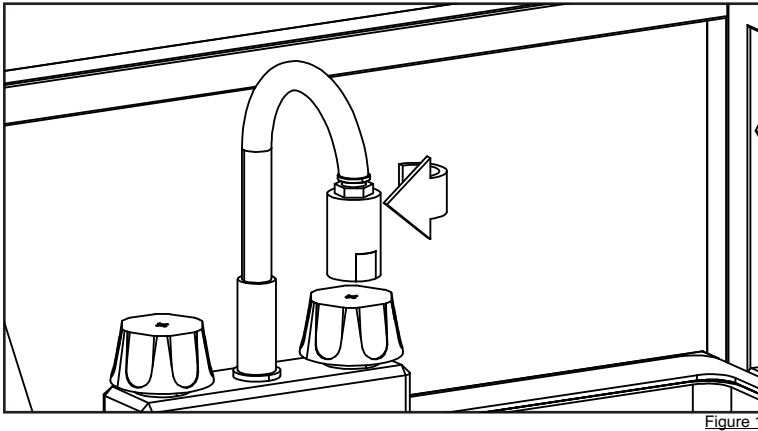


Faucet Motion Sensor
QTY: 1

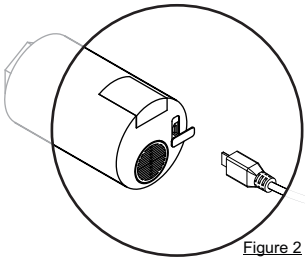


Note: Parts are not to scale.

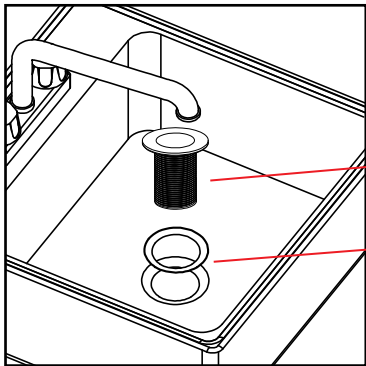
STEP 1: Install faucet sensor as shown below.



Note: Make sure to fully charge sensor prior use.
Charging cable provided.



STEP 2: Install sink drainer by placing it and its seal washer as shown below. Follow diagram to complete drainer installation. Then proceed to install flexible drainer.



Drainer

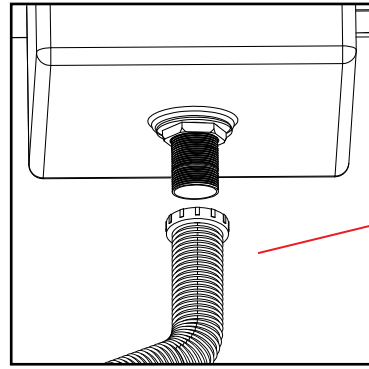
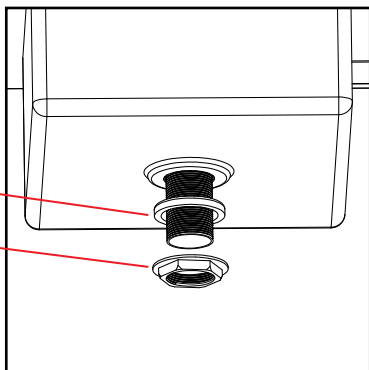
Seal Washer

1

2

Seal Washer

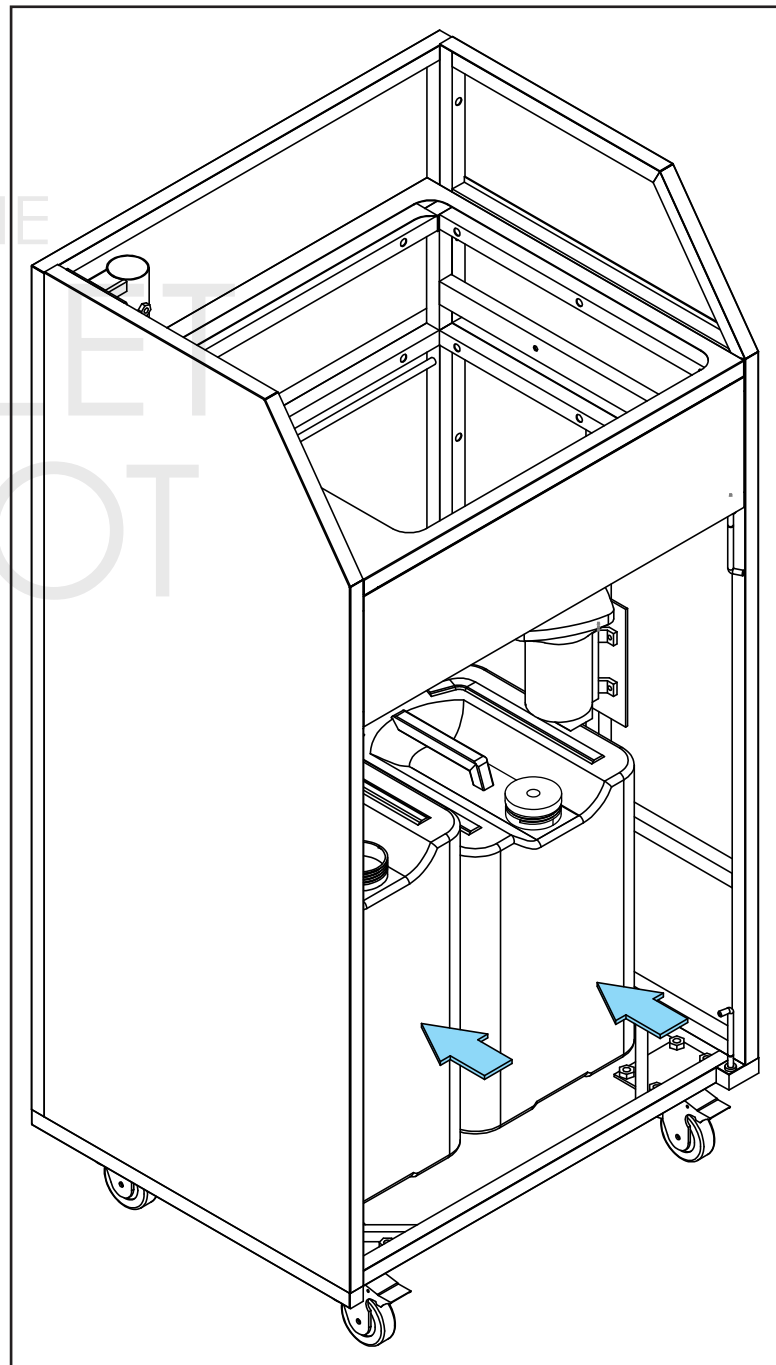
Nut



Flexible Drain

3

STEP 3: Slide in water tanks, as shown below. Make sure to place 6gal tank (tallest) on the left side.



STEP 4: Insert the sink in the working surface cut out.

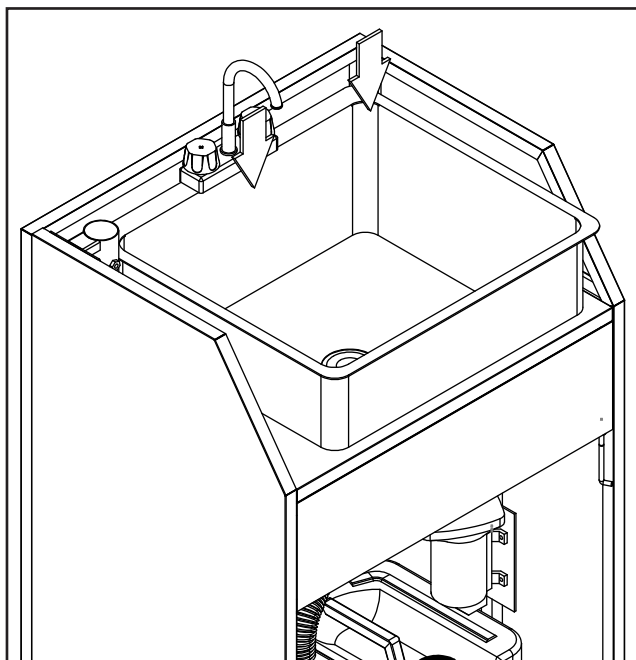


Figure 7

STEP 5: Insert flexible drainer in the 6gal waste water tank opening.

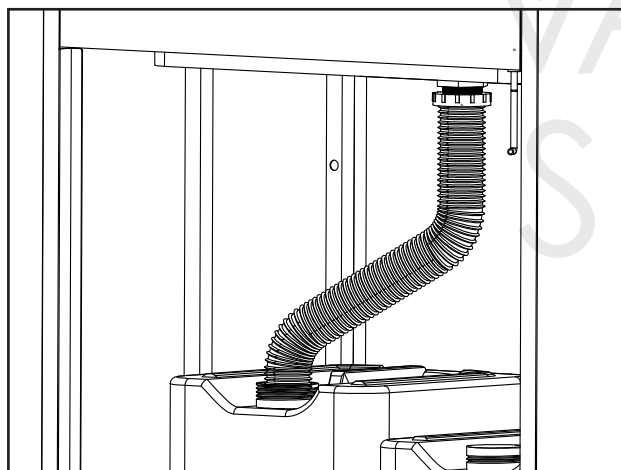


Figure 8

STEP 6: Install clear plastic hose in the pump's inlet port. Secure hose to the nipple fitting using a hose clamp. Take braided hose and connect it to the discharge port. Use as much teflon tape as needed.

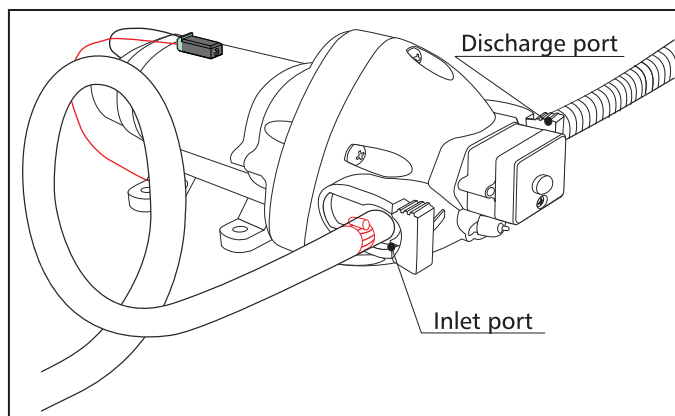


Figure 9

STEP 7: Insert clear plastic hose into the 5gal clean water tank.

Note: Fill clean water tank. Remember to always do so when all electric components are disconnected from a power source.

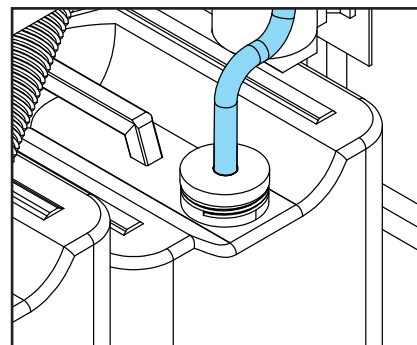


Figure 10

STEP 8: Plug the pump's power adapter cable to the plug placed on the pump.

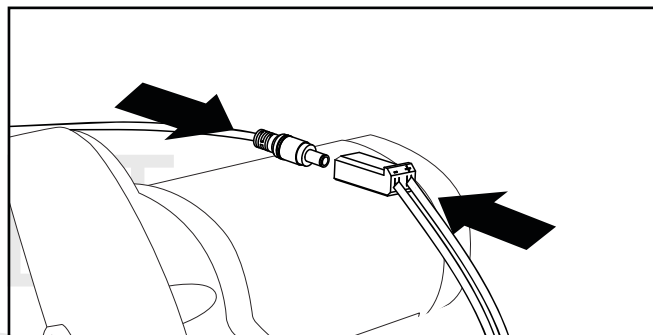


Figure 10

STEP 9: Place power adapter on pre-installed velcro tape on the side wall of the podium. Plug pump to power adapter.

Note: Use bottom grommet to plug power adapter to a wall outlet.

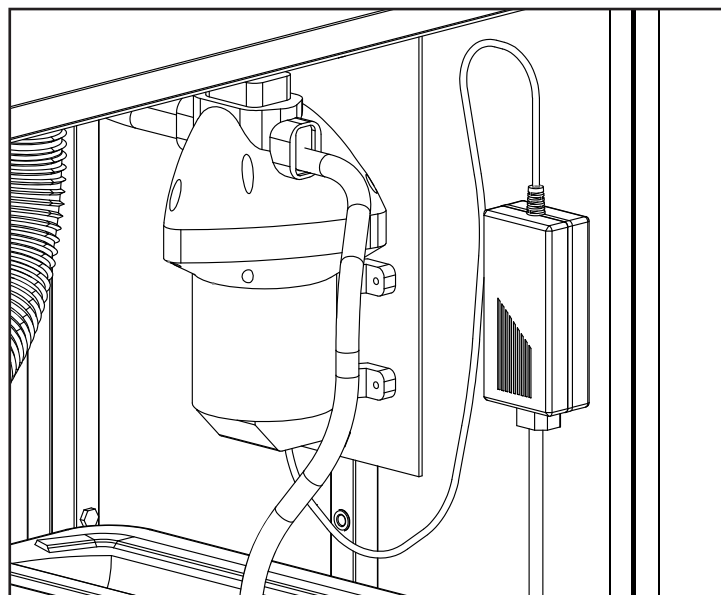


Figure 11

**Do not plug the power supply to the wall or battery yet.
Pump is active when plugged in.
There's no on/o fswitch.**

Before turning the system on

- Make sure all the fittings, hoses and cables are properly plugged and/or sealed.
- Double read this guide if necessary.
- Read the maintenance and care guide as well as the pump manufacturer's guide.

Operating the system

To turn it on

1. Fill the clean water tank.
2. Open the faucet.
3. Connect the pump to a wall plug or battery.
3. The pump will start working, once you see water coming out of the faucet close the faucet.

To turn it off

1. Open the faucet.
2. Disconnect the pump's power adapter from wall plug.

Recommendations

- Always keep water inside the the clean water tank, this is critical for the system to work properly.
- The hoses could keep water inside of them after every use.
- The pump is capable of running dry for a couple minutes. Serious damage could occur if it runs dry for long periods of time.
- When disassembling the system there will always be water left in the hoses. Have a towel handy as you are taking apart.

CAUTION: The Security Station IS NOT liable for any injury caused by misuse, spills, accidents nor by improper installations, alterations or repairs. Please use system with caution only.

THE
VALET
SPOT

Contact us

Tel # 877-977-8733

Fax # 866-659-3353

E-mail: sales@thevaletspot.com

Visit us at

www.thevaletspot.com

